

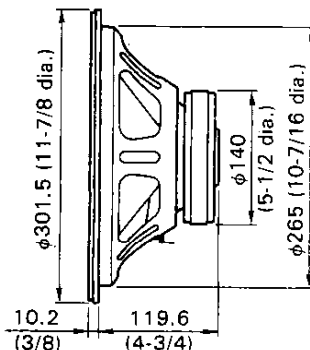
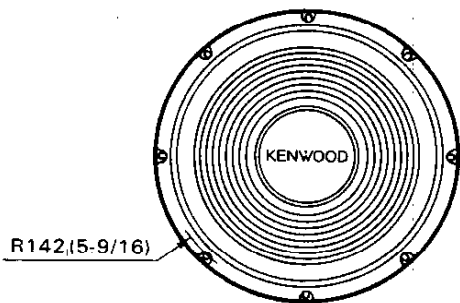
KFC-W312

SERVICE MANUAL

KENWOOD

©1991-5 PRINTED IN JAPAN
B51-632-00(T) 375

EXTERNAL VIEW

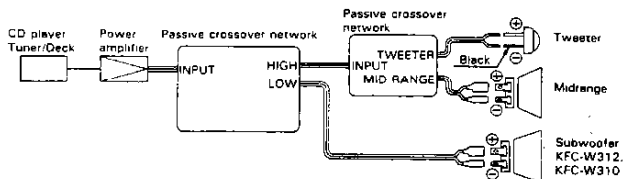


Unit: mm (inch)

SYSTEM CONNECTIONS

With this unit, the speaker wires are not supplied. Obtain the audio speaker wires with the required length. To connect the speaker wires to the unit, terminate the cords with female spade connectors.

Example



PARTS LIST

★ New parts
Parts without **Parts No.** are not supplied.
Les articles non mentionnés dans le **Parts No.** ne sont pas fournis.
Teile ohne **Parts No.** werden nicht geliefert.

| Ref No. | New Parts | Parts No. | Description |
|---------|-----------|-------------|--------------------|
| | ★ | B46-0100-20 | WARRANTY CARD |
| | | B61-0453-00 | INSTRUCTION MANUAL |
| | | N99-1143-08 | SCREW SET |
| | ★ | T10-0523-08 | SPEAKER |

SPECIFICATIONS

Note:
KENWOOD follows a policy of continuous advancements in development. For this reason specifications may be changed without notice.

| | |
|---------------------------------|-----------------------------------|
| ■ KFC-W312 | |
| Subwoofer | 300 mm (12") Cone Type |
| Nominal Impedance | 4 ohms |
| Peak Input Power | 300 watts |
| Rated Input Power | 100 watts |
| Sensitivity | 89 dB/watt at 1 m |
| Free Air Resonance | 25 Hz |
| Frequency Response | 25 to 2,000 Hz |
| Recommended Crossover | |
| Frequency | 80 to 100 Hz |
| Dimensions | |
| Diameter: | 301.5 mm (11-7/8") |
| Height: | 10.2 mm (3/8") |
| Depth: | 119.6 mm (4-3/4") |
| Net Weight | 3.75 kg (8-1/4 lbs) |
| Supplied Parts | |
| Screws | ø 4 - 25 mm (3/16" dia. - 1") x 8 |
| Washers | ø 4 (3/16" dia.) x 8 |
| Clip nuts | ø 4 (3/16" dia.) x 8 |